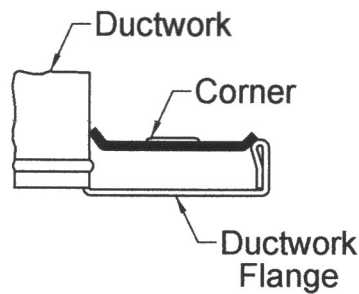


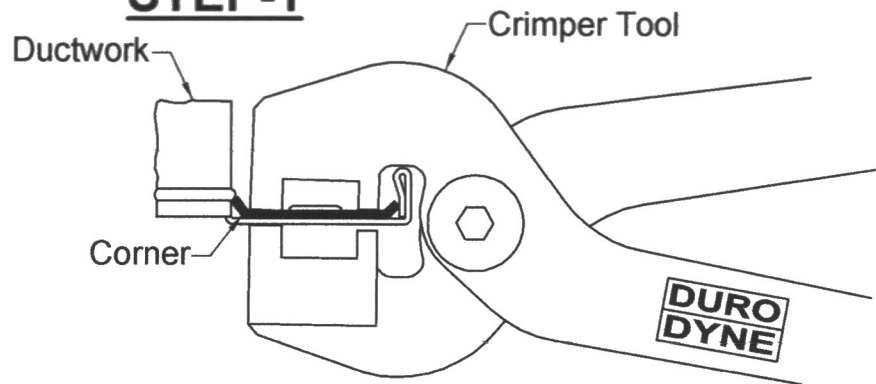
Dyn-O-Mate Corner Installation Instructions using the Crimper Tool

Follow these instructions for each TDC/TDF Corner being installed.

STEP-1



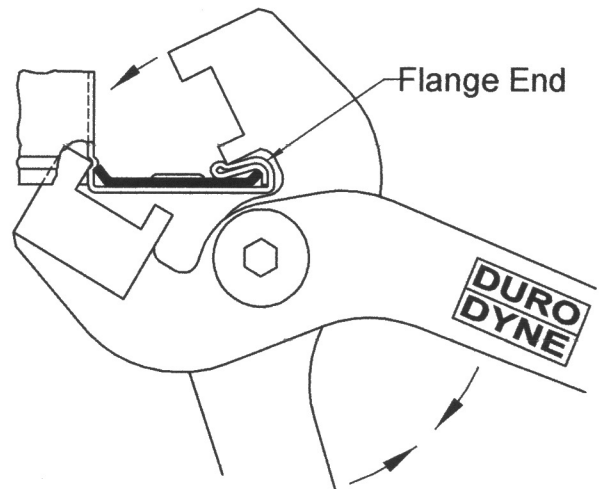
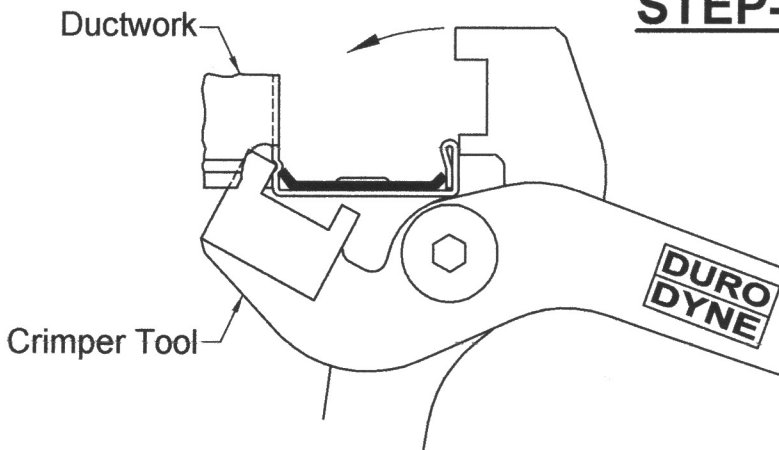
View-A



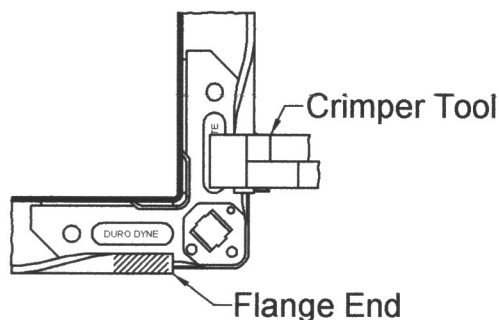
View-B

Place the **Corner** as shown in **View-A** and snap it into the **Ductwork Flange** using the **Crimper Tool** as shown in **View-B**.

STEP-2



Placing the **Crimper Tool** as shown, compress the handles to bend over the **Flange End**. See **Top View** (below) for the proper placement of the **Crimper Tool**.



Top View

(No Scale)

Place the **Crimper Tool** towards the end of the **Flange End** as shown.

(For further assistance, please contact Duro Dyne Corporation)

THE GREATEST NAME IN SHEET METAL NECESSITIES